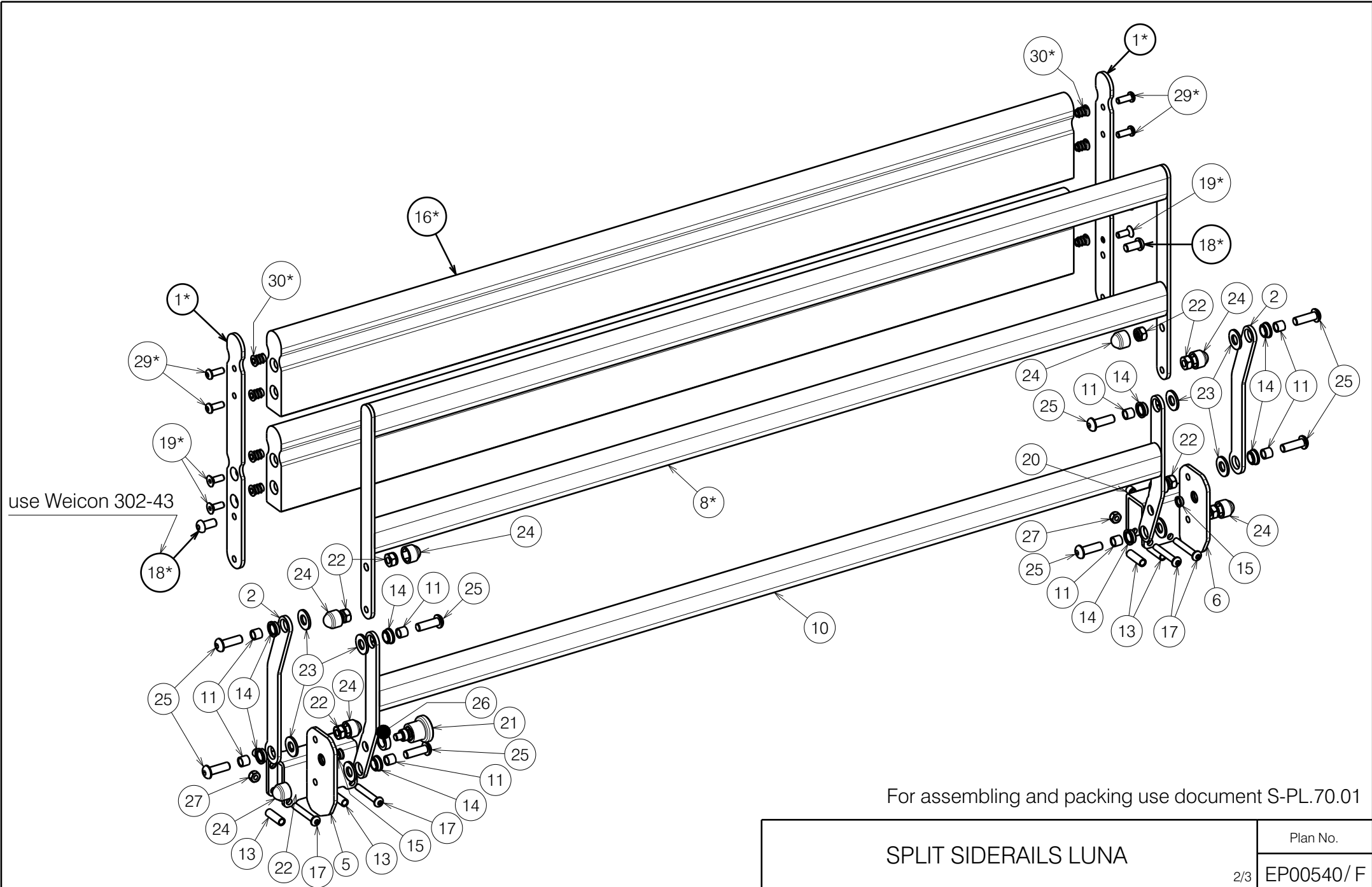


For assembling and packing use document S-PL.70.01

EP00540 / F

* - depends on option
Right headside depicted

| | | | | |
|--|------------|------------|------------|----------------|
| <h2 style="margin: 0;">SPLIT SIDERAILS LUNA</h2> | | | | Plan No. |
| | | | | 1/3 EP00540/ F |
| Scale: 1:5 | Drafted | Verified | Confirmed | |
| Date | 08/10/2020 | 23/07/2024 | 23/07/2024 | |
| Initials | DR | AZ | AZ | |




use Weicon 302-43

For assembling and packing use document S-PL.70.01

EP00540 / F

* - depends on option
Right footside depicted

| | | | | |
|-----------------------------|------------|------------|------------|---|
| SPLIT SIDERAILS LUNA | | | | Plan No. |
| | | | | 2/3 EP00540/ F |
| Scale: 1:5 | Drafted | Verified | Confirmed |  |
| Date | 08/10/2020 | 23/07/2024 | 23/07/2024 | |
| Initials | DR | AZ | AZ | |

| Material | | | |
|----------|--------------------|-------------|----------|
| No. | Plan | Article | Quantity |
| 1* | YP08012 | 2606837 | 8 |
| 2 | YP07990 | 2603837 | 8 |
| 3 | YP08626 | 2623337 (L) | 1 |
| | YP08627 | 2623437 (R) | 1 |
| 4 | YP08015 | 2604137 (L) | 1 |
| | YP08016 | 2604237 (R) | 1 |
| 5 | YP08017 | 2604337 (L) | 1 |
| | YP08018 | 2604437 (R) | 1 |
| 6 | YP08628 | 2623537 (L) | 1 |
| | YP08629 | 2623637 (R) | 1 |
| 7* | YP08630 | 2623737 | 2 |
| 8* | YP08631 | 2623837 | 2 |
| 9 | YP08632 | 2623937 | 2 |
| 10 | YP08633 | 2624037 | 2 |
| 11 | XP03050 | GP23100 | 32 |
| 12* | XP03134 | HP00680 | 4 |
| 13 | XP03116 | GP24700 | 14 |
| 14 | XP02893 | 2994748 | 32 |
| 15 | XP02894 | GP21800 | 8 |
| 16* | XP03135 | HP00681 | 4 |
| 17 | M6x40 | 1006111 | 14 |
| 18* | M8x16 | 1991858 | 8 |
| 19* | M6x16 DIN7991 | 1994752 | 16 |
| 20 | M8x8 DIN916 | 2996665 | 8 |
| 21 | Blocker pin M12 | 2994540 | 4 |
| 22 | Nut M8 Selflocking | 1001682 | 32 |
| 23 | Washer M10 PVC | 1001557 | 32 |
| 24 | Nut cap M8 grey | 2994898 | 32 |
| 25 | M8x25 | 1990501 | 32 |
| 26 | XP03232 | GP26300 | 4 |
| 27 | Nut M6 Selflocking | 1001680 | 14 |
| 28** | XP03129 box | U000430 | 1 |
| 29* | M6x16 | 1008459 | 16 |
| 30* | Insert M6x13 | 2995002 | 32 |

EP00540 / F

* - depends on option

** - not depicted

For assembling and packing use document S-PL.70.01

| | | | | |
|----------------------|------------|------------|------------|---|
| SPLIT SIDERAILS LUNA | | | | Plan No. |
| | | | | 3/3 EP00540/ F |
| Scale: 1:5 | Drafted | Verified | Confirmed |  |
| Date | 08/10/2020 | 23/07/2024 | 23/07/2024 | |
| Initials | DR | AZ | AZ | |