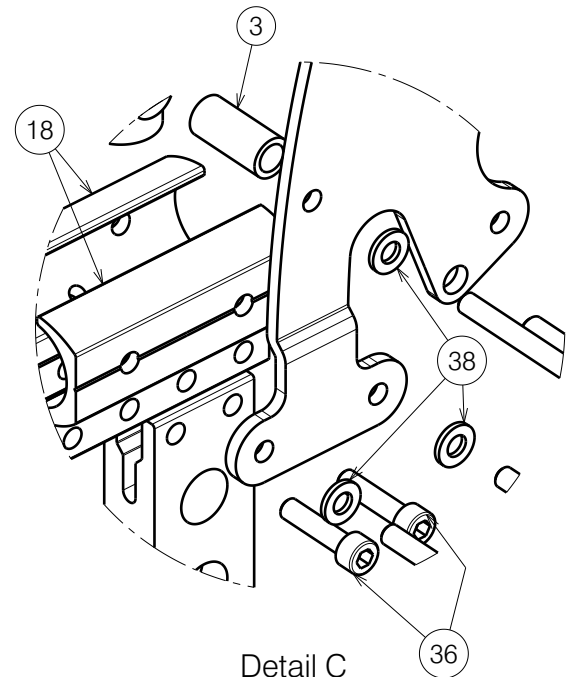
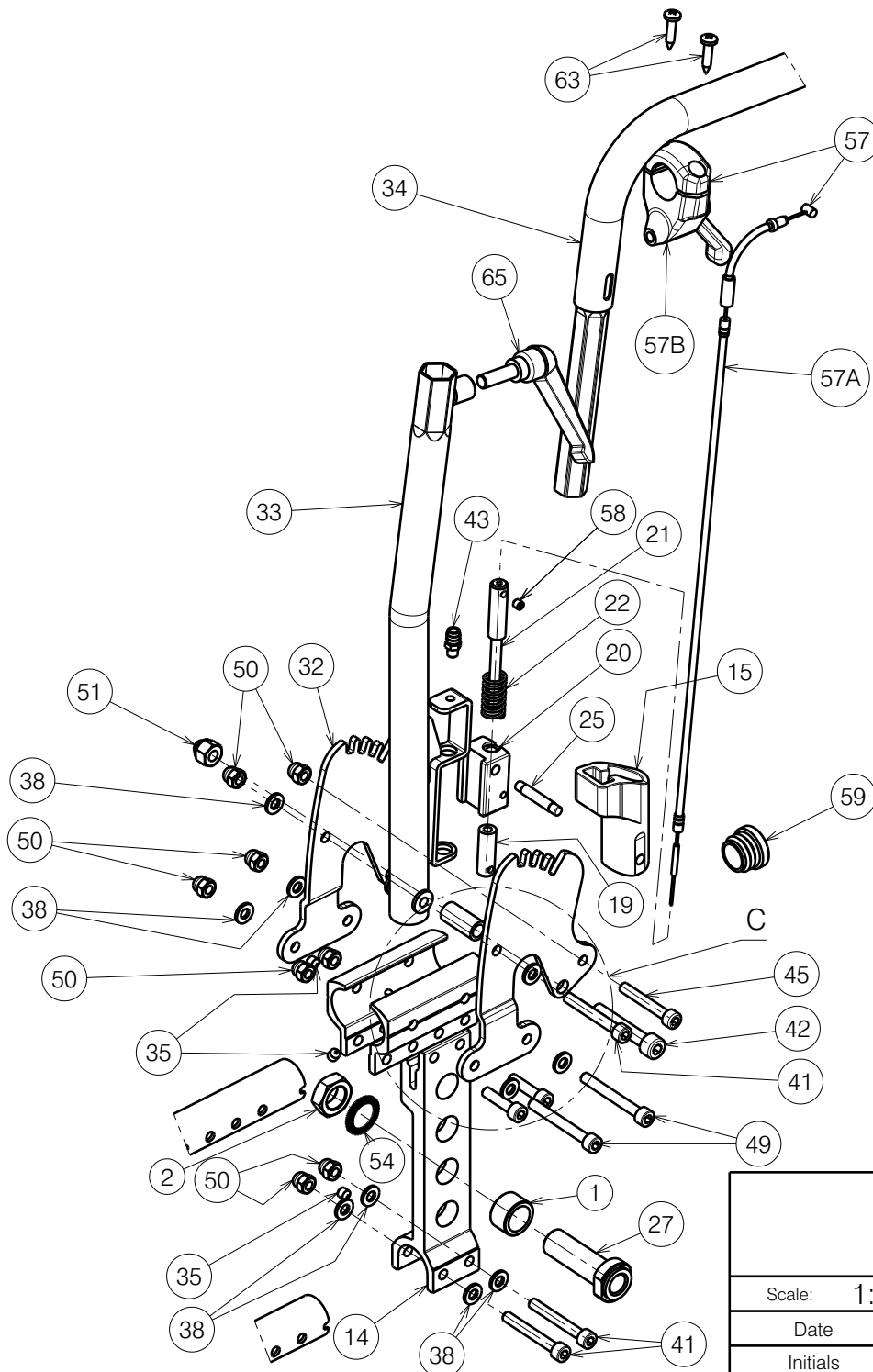


Detail B
Scale: 1:4

2994724 / 3999138

E001141 / H

V300D - 30° SIDE FRAME Sheet 1/3 - Frame				Plan No.
				E001141 / H
Scale: 1:9	Drafted	Verified	Confirmed	
Date	12/12/2019	23/11/2023	23/11/2023	
Initials	SD	PM	AS	




Detail C
Scale: 1:2

Glue n° 21 into n° 19 with
Weicon AN 302-43 (H900009)
Glue n° 25 into n° 20 with
Weicon AN 302-43 (H900009)

2994724 / 3999138

E001141 / H

V300D - 30° SIDE FRAME Sheet 2/3 - Back Rest				Plan No. E001141 / H
Scale: 1:9	Drafted	Verified	Confirmed	
Date	12/12/2019	23/11/2023	23/11/2023	
Initials	SD	PM	AS	


Material

No.	Plan	Article	Quantity	No.	Plan	Article	Quantity
1	X000185	G000790	2	32	Y016993	1745954	2
2	X002437	1992699	2	33	Y023779	2074754	2
3	X003204	1585100	2	34	Y023781	2074862	2
5	X004308	1904129	4	35	M6x6 DIN914	1909924	6
6	X004309	1904133	2	36	M6x25 DIN912	1001494	4
7	X004415	17193	2	37	M12 DIN125	1001561	2
8	X004420	1904134	2	38	M6 DIN125	1001564	30
9	X004429	1904030	2	39	M8x20 Ø40	1001580	2
10	X004436	1903928	2	40	M12 DIN985	1001684	2
11	X004444	17223	2	41	M6x45 DIN912	1003109	6
12	X004445	1904571	2	42	M8x45 DIN912	1003110	2
13	X004466	1730700	2	43	M6x10	1003282	2
14	X004471	1713332	2	44	M6 DIN7349	1003321	2
15	X004487	1904581	2	45	M6x40 DIN912	1003909	2
16	X004597	1905121	2	46	M6x60 DIN912	1005957	4
17	X004689	1734600	2	47	M6x40 DIN9784	1006850	4
18	X004697	1745132	4	48	M6x25 ISO7380	1006998	4
19	X004789	1740400	2	49	M6x50 DIN912	1007970	6
20	X004796	17406	2	50	M6 DIN986	1008492	28
21	X004797	1740500	2	51	M8x14 DIN986	1902024	2
22	X004798	1740700	2	52	M6x35 DIN984	1903903	2
23	X004800	1740300	2	53	---	1906314 (B78)	2
24	X004818	1906184	2	54	M16 DIN17222	1911653	2
25	X004987	1767500	2	57	---	1916497	2
26	XC00037	3990106	2	57A	X005947	1916498	2
27	X005828	1905244	2	57B	---	1916909	2
28	X005865	1915642 (L)	1	58	M5x5 DIN916	1991323	4
	X005866	1915643 (R)	1	59	Ø25	1991857	2
29	Y004761	1521754 (39)	1	60	M12x1.25	1994605	2
	Y004762	1521854 (42)	1	61	M8x76 DIN912	1998993	2
	Y004763	1521954 (44)	1	62	M8	1998994	2
	Y004764	1522054 (46)	1	63	Ø4.8x22 DIN7981	3991881	4
	Y004765	1522154 (48)	1	64	Y024006	F002907	2
	Y004766	1522254 (50)	1	65	M8x25	1005904	2
	Y017325	1746654 (53)	1				
	Y017326	1746754 (56)	1				
	Y017236	1745754 (60)	1				
30	Y015094	17298.. (L)	1				
	Y015194	17299.. (R)	1				
31	Y016979	1745854	2				

Note: Quantities are for one wheelchair, only left side depicted

2994724 / 3999138

E001141 / H

V300D - 30° SIDE FRAME				Plan No.
Sheet 3/3 - BOM				E001141 / H
Scale: 1:9	Drafted	Verified	Confirmed	
Date	12/12/2019	23/11/2023	23/11/2023	
Initials	SD	PM	AS	