

NOTICE: THE INFORMATION CONTAINED ON THIS DRAWING IS PROPRIETARY TO VERMEIREN GROUP AND SHALL NOT BE DISCLOSED IN WHOLE OR IN PART, OR USED FOR ANY DESIGN OR MANUFACTURE, EXCEPT WHEN SUCH USER POSSESSES DIRECT WRITTEN AUTHORISATION FROM VERMEIREN GROUP.

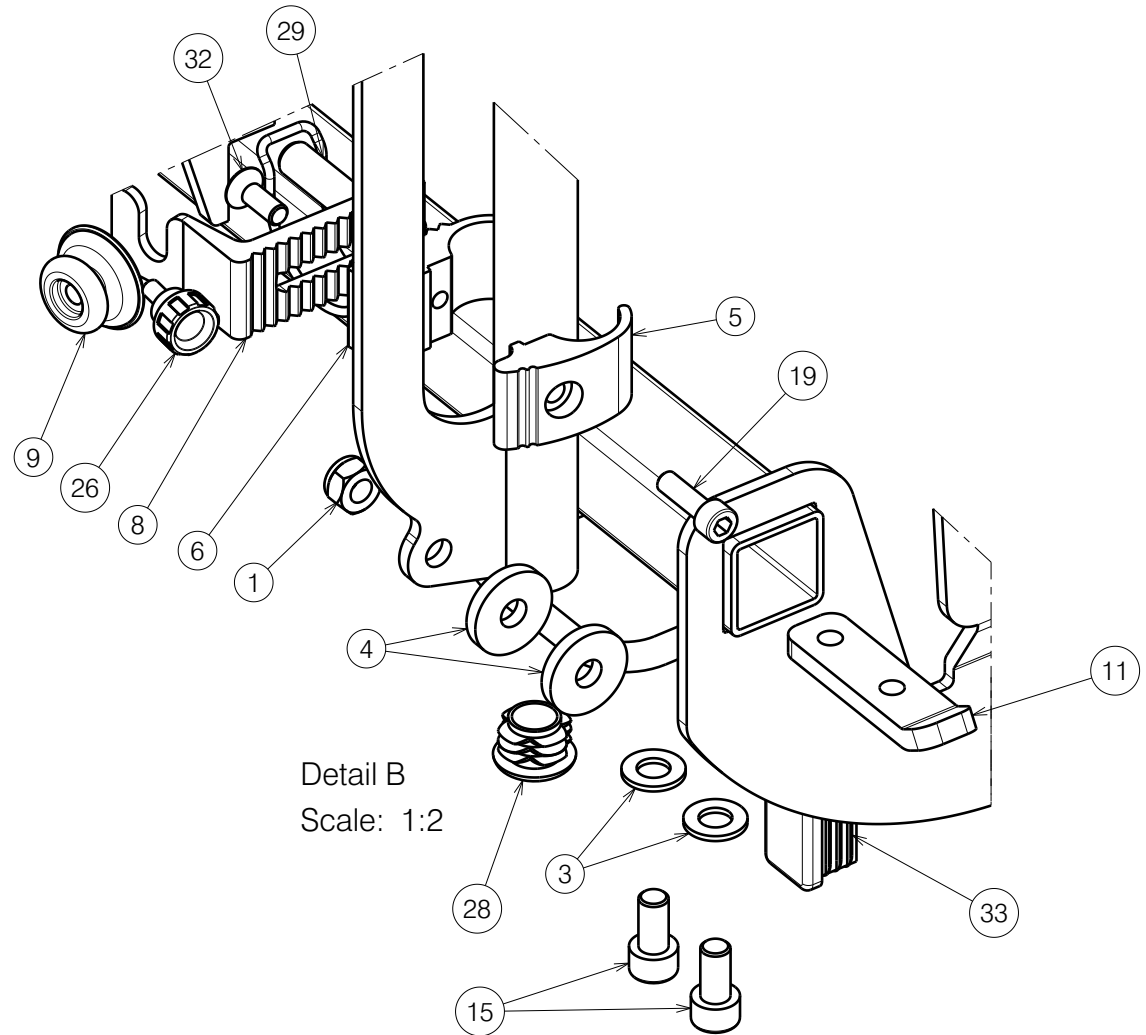
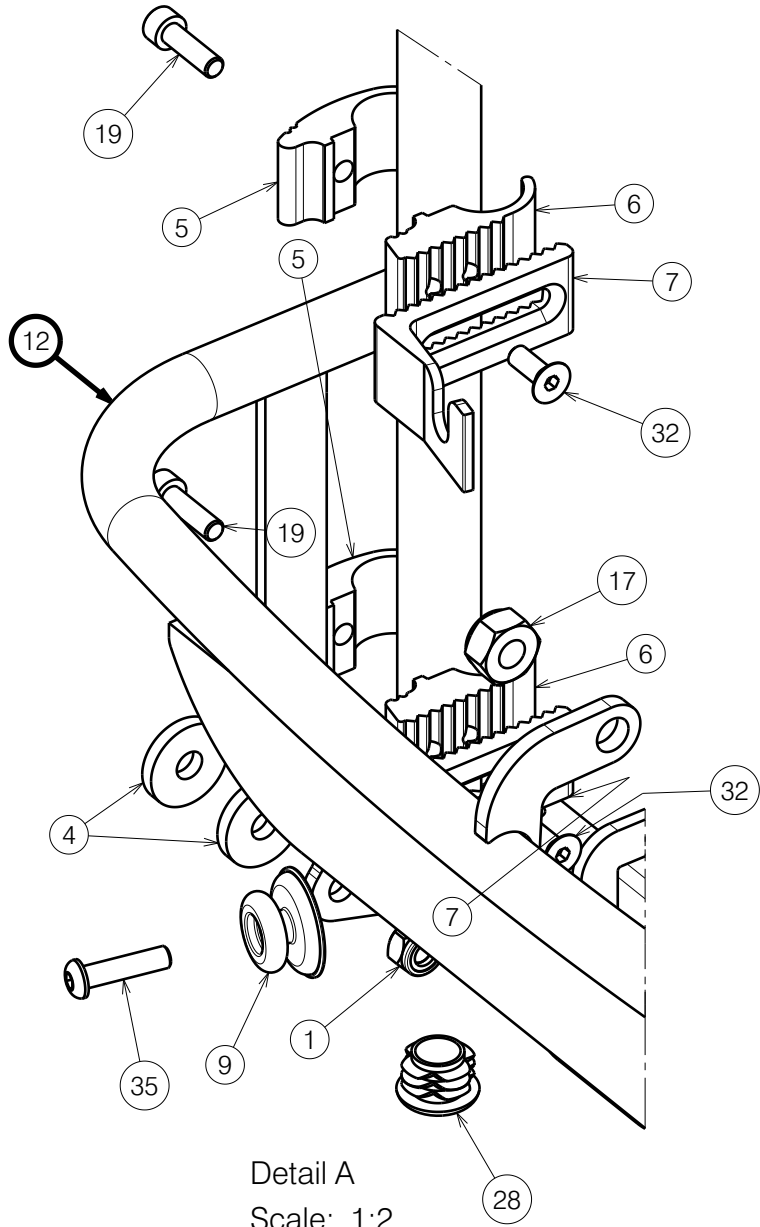
Sheet 1/3

SIGMA BACK FRAME L34 TUB

Plan No.
E001104/G

Scale: 1:6	Drafted	Verified	Confirmed
Date	2018-06-20	12/08/2024	12/08/2024
Initials	SD	PM	MK





NOTICE: THE INFORMATION CONTAINED ON THIS DRAWING IS PROPRIETARY TO VERMEIREN GROUP AND SHALL NOT BE DISCLOSED IN WHOLE OR IN PART, OR USED FOR ANY DESIGN OR MANUFACTURE, EXCEPT WHEN SUCH USER POSSESSES DIRECT WRITTEN AUTHORISATION FROM VERMEIREN GROUP.

Sheet 2/3

SIGMA BACK FRAME L34 TUB /L44 SE41

Plan No.

E001104/G

Scale: 1:6	Drafted	Verified	Confirmed
Date	2018-06-20	12/08/2024	12/08/2024
Initials	SD	PM	MK



Material			
No.	Plan	Article	Quantity
1	X001016	1001682	4
2	X001052	G066600	2
3	X001119	1001554	4
4	X004048	1902685	4
5	X004820	1744599	4
6	X004821	1744699	4
7	X004822	1744799	2
8	X004823	1744899	2
9	X004861	1906454	2
10	X005410	1914781	1
11	Y018564	1774200	2
12	YP09205	2638854 (40)	1
	YP09206	2638954 (45)	11
	YP09207	2639054 (50)	1
13	Y022312	2049854 (40)	1
	Y022980	2049754 (45)	1
	Y022313	2049954 (50)	1
14	Soft grey 40	1906938	1
	Soft grey 45	1906940	1
	Soft grey 50	1906942	1
	Soft black 40	2996185	1
	Soft black 45	2996186	1
	Soft black 50	2996187	1
15	M8x16 DIN912	1001498	4
16	M4 DIN985	1001678	2
17	M10 DIN985	1001683	1
18	D3,9x16 DIN7982	1005767	4
19	M6x20 DIN912	1001493	4
20	M10x35 ISO7380	1009442	1

Material			
No.	Plan	Article	Quantity
21	M6x15	1009932	2
22	LA23	1906790	1
23	---	1906791	1
24	---	1906792	1
25	M4x12 DIN7984	1907582	2
26	M5x10	1911896	1
27	---	1912307	1
28	D22	1990648	2
29	D10x40	1991481	1
30	M8x20 ISO7380	1992349	2
31	M8x30 ISO7380	1992717	2
32	M6x16 DIN7991	1994752	4
33	30x20	1997922	2
34	---	2993352	1
35	M6x25 ISO7380	1006998	2
36	X004888	1906839 (40)	1
	X004857	1906740 (45)	1
	X004889	1906841 (50)	1

Material			
No.	Plan	Article	Quantity
37	---	1906843 (40)	1
	---	1906844 (45)	1
	---	1906845 (50)	1

NOTICE: THE INFORMATION CONTAINED ON THIS DRAWING IS PROPRIETARY TO VERMEIREN GROUP AND SHALL NOT BE DISCLOSED IN WHOLE OR IN PART, OR USED FOR ANY DESIGN OR MANUFACTURE, EXCEPT WHEN SUCH USER POSSESSES DIRECT WRITTEN AUTHORISATION FROM VERMEIREN GROUP.

Sheet 3/3

SIGMA BACK FRAME L34 TUB

Plan No.

E001104/G

Scale:	1:6	Drafted	Verified	Confirmed
Date	2018-06-20	12/08/2024	12/08/2024	
Initials	SD	PM	MK	

